

SERVICE BULLETIN

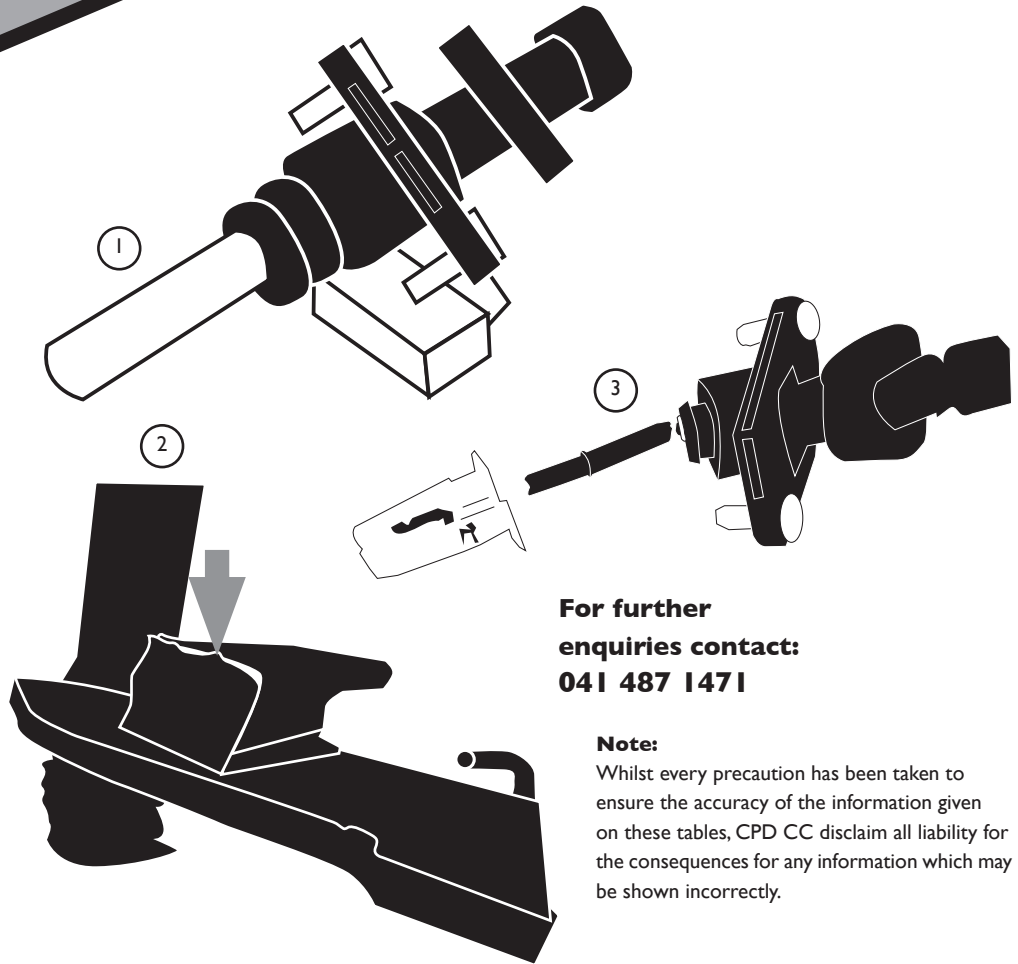
Subject: Installation of Concentric Slave Cylinder (CSC)

Your undercarriage specialist

**CPD Part No:
OPE301P**

Issue Date: March 2018
FITMENT AWARENESS FOR OPE301P

- MAKE SURE CLIP IS SECURE IN HOUSING WITH BOTH TEETH
- MAKE SURE HOUSING IS NOT RUSTED AT BACK END WHERE CLIP IS SECURED
- IF RUSTED, PUSHROD CAN BREAK THROUGH THE HOUSING AND SNAP OFF
- WELD HOUSING BEFORE FITMENT OF CLUTCH MASTER



**For further
enquiries contact:
041 487 1471**

Note:

Whilst every precaution has been taken to ensure the accuracy of the information given on these tables, CPD CC disclaim all liability for the consequences for any information which may be shown incorrectly.